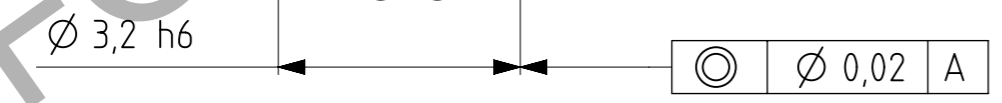
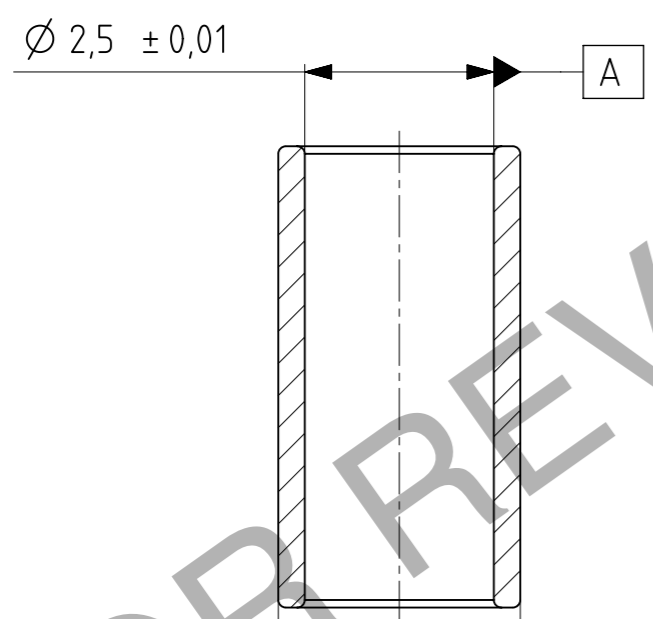


SCALE 5:1



- GSA 07 9410 Cleanliness Grades  
 Cleanliness - Particles  
 Grade 4
- GSA 07 9510 Cleanliness Grades  
 Cleanliness - Molecular  
 Grade 2
- GSA 02 0102 Manufacturing:  
 General geometrical specifications

FIRST ANGLE PROJECTION (EUROPEAN)	MATERIAL NUMBER	ZrO2 TZP, 95%, + Y2O3 (Zirconium Oxide)		FOR DRAWING INTERPRETATION	TPD 00 0000
	SURFACE / HEAT / AFTER TREATMENT	-		SCALE	10:1
	DESCRIPTION	EXE PR DGL-M SH FBR SPLT PIN		SURFACE ROUGHNESS (Ra) (UNLESS OTHERWISE SPECIFIED)	1,6
	EXPORT CONTROL STATUS	Not Set		(UNITS: μm)	UNITS mm
NAME BEN PARKER-BEDQ			FORMER 12NC	PART NUMBER	1 2023-12-21
CHECKED BY			STATUS	4022.713.8806	
NAME CODEVELOPER				SHEET 110 — 001	SHEETS 1 SYS U SIZE A3
DO NOT SCALE DRAWING					